

警告

此零件應由具有專業技術訓練和工具的專業人士安裝，安裝不當可能造成人車損傷或失控。

此產品可調整“外傾角”達正負 1.75 度（內八 1.75 度 至 外八 1.75 度）

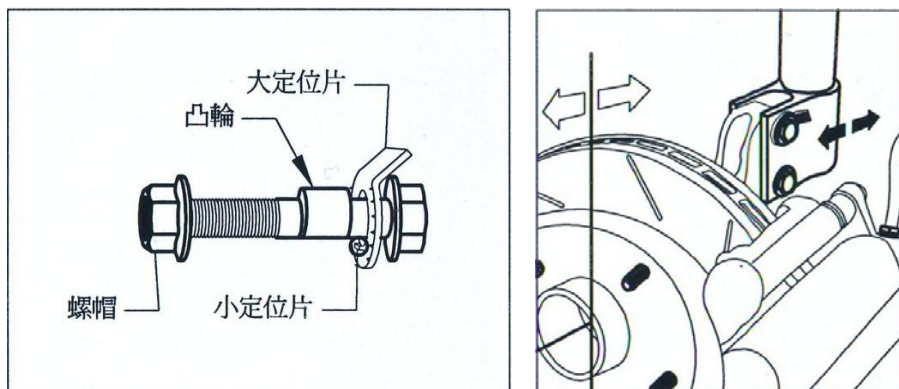
適用車種:

Chevrolet, Chrysler, Daewoo, Dodge, Hyundai, Infinity, Mitsubishi, Nissan, Saturn, Subaru, Toyota, Volvo

- 麥花臣下座上螺絲孔為 15mm 之車種皆可適用
- 請參照型錄查照車種規格和年份

傾角螺栓安裝說明：

1. 依照輪胎定位的數據，來決定“外傾角”所需的角度的。
2. 架高車身，移除輪圈
3. 移除避震器下座上螺絲
4. 安裝傾角螺栓，安裝方向有兩個選擇：
 - (1) 向正外傾方向調整(輪胎上部向外移動為內八)時，將螺栓凸輪朝向車外，墊片內側的小定位片朝向車內方向插入螺絲孔內。
 - (2) 向負外傾方向調整(輪胎上部向內移動為外八)時，將螺栓凸輪朝向車內，墊片內側的小定位片朝向車外方向插入螺絲孔內。
5. 裝上螺帽，但先不鎖緊。加壓墊片使墊片的小齒緊密貼緊避震器下座，接著鬆開下座的下螺絲以利接下來的傾角調整。
6. 將輪圈裝回後，在定位裝置上即可透過轉動傾角螺栓達到所想要的外傾角數據。調整至適當的角度後，將所有的螺帽鎖緊。
※ 螺栓拧紧扭力勿超過 80lb-ft (110Nm) 請勿使用氣動扳手務必確認懸吊系統零件及其他各部零件無互相碰撞及干擾。
7. 完成輪胎定位和車輛道路測試。



CAUTION

This part should only be installed by personnel who have the necessary skill, training and tools to do the job correctly and safely. Incorrect installation can result in personal injury, vehicle damage and/or loss of vehicle control.

Changes camber and/or caster up to ± 1.75 degrees

APPLICATIONS

Chevrolet, Chrysler, Daewoo, Dodge, Hyundai, Infinity, Mitsubishi, Nissan, Saturn, Subaru, Toyota, Volvo

- Vehicles with 15mm strut bolts

Instruction

1. Take alignment readings and determine amount of camber change needed.
2. Raise vehicle by body pinch welds. Remove tire and wheel assembly.
3. Remove the upper strut-spindle bolt.
4. Line up small tab with cam on bolt. Install bolt with large tab out toward wheel for positive camber or in away from wheel for negative camber. Install the camber bolt into strut whole making sure the small tab on the washer is in the hole and the washer is flush on the strut. Add lock nut, snug, but do not tighten. Loosen the lower bolt.
5. Reinstall tire and wheel assembly and recompensate alignment equipment. Rotate the camber bolt to obtain desired camber reading.
*Torque bolts do not exceed 80lb-ft (110Nm) **Do NOT use air/impact wrench.** Always check for proper clearance between suspension components and other components of the vehicle.
6. Complete alignment and road test vehicle.

